

## 24-Bit, 192kHz立体声D/A转换器

### ■ FEATURES

- 支持多种音频数字输入格式, 最大支持24-bit字节
- 可自动检测采样频率, 最高192kHz
- 105dB动态范围
- -90dB THD+N
- 集成多比特位的 $\Delta$ - $\Sigma$ 调制器
- 支持3.3V单电源供电
- 具有强抗时钟抖动能力
- 内部集成输出滤波
- 集成数字去重, 外部无需SCLK
- 输出pop声抑制
- MSOP10封装

### ■ APPLICATIONS

- 音响 · DVD · 电视机
- 机顶盒 · 数码相框 · 家庭影院

### ■ DESCRIPTION

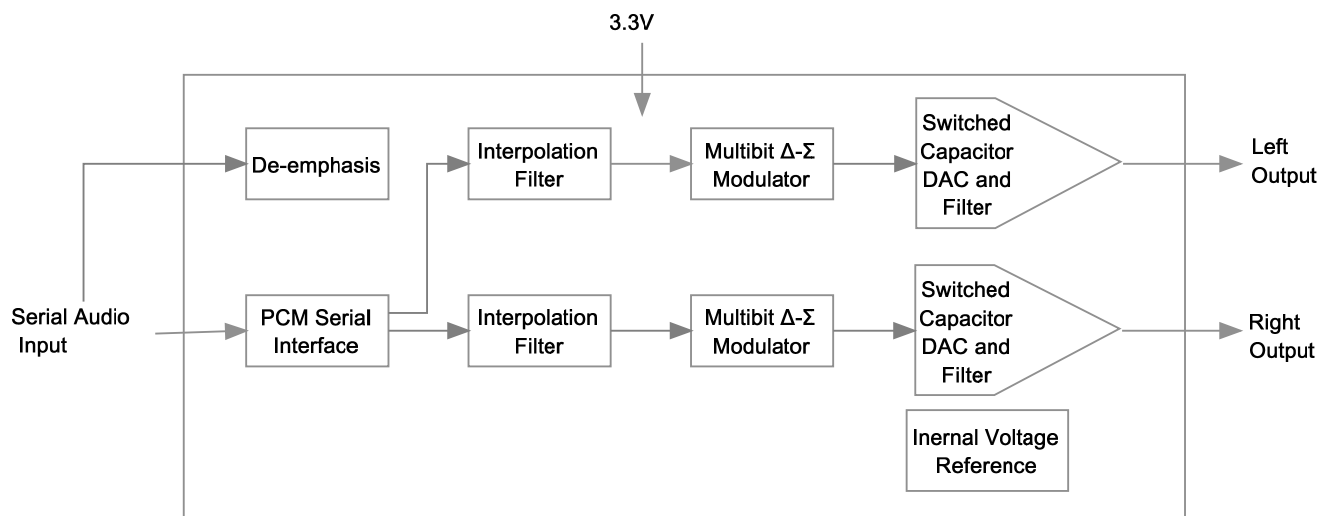
HT5010/1/2系列产品是一款低成本的立体声DA转换器, 内部集成了内插滤波器、DA转换器和输出模拟滤波等电路。其可支持多种音频数字输入格式, 最大支持24-bit字节。

该系列产品基于一个多比特位的 $\Delta$ - $\Sigma$ 调制器, 将数字信号转化成两个声道的模拟信号并经过模拟滤波器滤波。该 $\Delta$ - $\Sigma$ 调制器对时钟抖动的敏感度很低, 且在带宽范围外具有极低的噪声。其还可使用采样率和主时钟比作为自采样率(2kHz – 200kHz), 从而实现自动检测采样频率的功能。

该系列产品还集成了数字去重, 3.3V单电源供电, 无需外部SCLK, 简化了外围电路, 适用于DVD、数字电视、家庭影院、机顶盒等。

该系列产品为MSOP10封装。

### ■ BLOCK DIAGRAM



## 24-Bit, 192kHz Stereo D/A Converter

### ■ FEATURES

- Multiple audio data interface formats, up to 24-bit
- Automatically Detects Sample Rates up to 192kHz
- 105dB Dynamic Range
- -90dB THD+N
- Multi-bit Delta-Sigma Modulator
- 3.3V Single Power Supply
- Low Clock-Jitter Sensitivity
- Filtered Line-Level Outputs
- On-chip Digital De-emphasis
- Output pop-noise Minimization
- Small 10-pin MSOP Package

### ■ APPLICATIONS

- Speakers · TV sets
- DVD Player · Set top box
- Digital Photo Frame · DVD recorder
- Home theater · Automotive audio system

### ■ DESCRIPTION

The HT5010/1/2 family is a low-cost stereo digital to analog converter, including interpolation, multibit D/A conversion and output analog filtering in a 10-pin package.

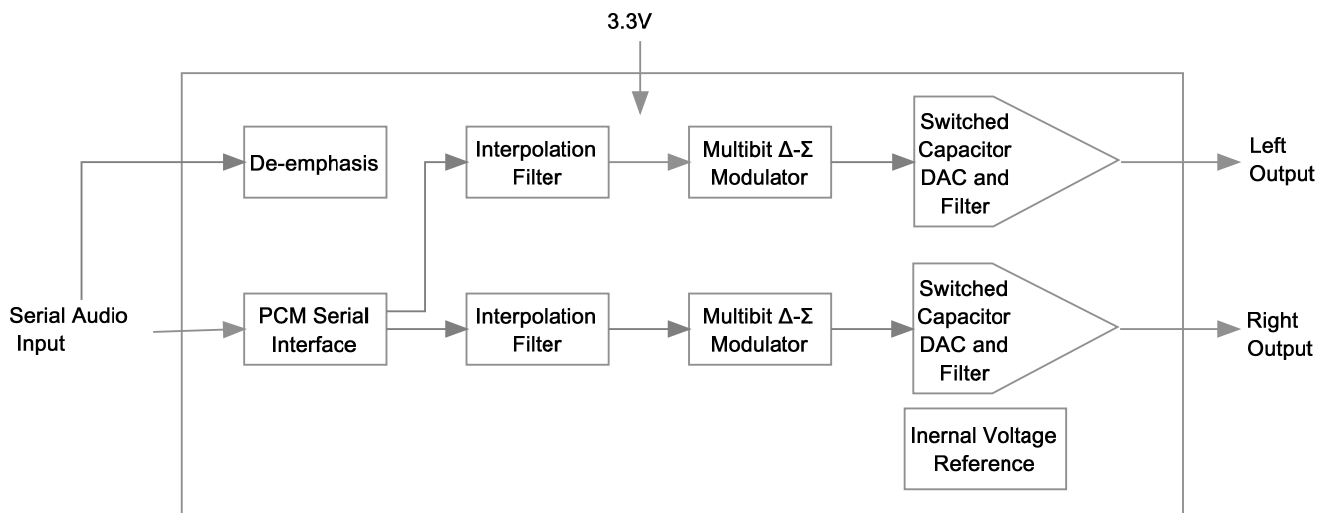
The device family can accept multiple audio formats up to 24-bit word length.

The device family is based on an advanced multi-bit  $\Delta$ - $\Sigma$  modulator to convert data into two channel analog outputs with a linear analog low-pass filter. The multi-bit  $\Delta$ - $\Sigma$  modulator makes the device with very low sensitivity to clock jitter and very low out-of-band noise. It also includes auto speed mode detection using both sample rate and master clock ratio as a method of auto-selecting sampling rates between 2 kHz and 200 kHz.

The device family contains on-chip digital deemphasis, operates from a single +3.3 V power supply, and requires minimal support circuitry. These features are ideal for DVD players & recorders, digital televisions, home theater and set top box products, and automotive audio systems.

The device family is available in a 10-pin MSOP package.

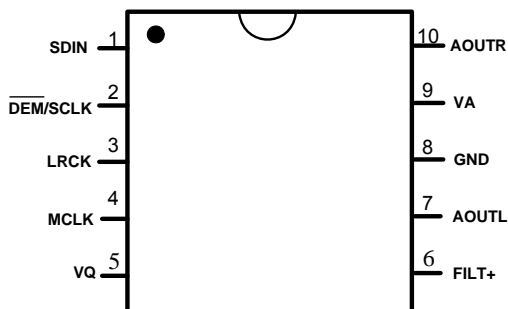
### ■ BLOCK DIAGRAM



## Contents

■ FEATURES .....	1
■ APPLICATIONS .....	1
■ DESCRIPTION .....	1
■ BLOCK DIAGRAM .....	1
■ FEATURES .....	2
■ APPLICATIONS .....	2
■ DESCRIPTION .....	2
■ BLOCK DIAGRAM .....	2
■ TERMINAL CONFIGURATION .....	4
■ TERMINAL FUNCTION .....	4
■ ORDERING INFORMATION .....	4
■ ELECTRICAL CHARACTERISTICS .....	5
● Absolute Maximum Ratings .....	5
● Recommended Operating Conditions .....	5
● Dynamic Performance .....	5
● Analog Performance .....	5
● Combined Interpolation & on-chip analog filter response .....	6
● Digital Input Characteristics .....	6
● Power and Thermal Characteristics .....	6
● Serial Audio Interface Switching Characteristics .....	7
■ APPLICATION INFORMATION .....	9
1. <i>Master Clock</i> .....	10
2. <i>Serial Clock</i> .....	10
2.1. <i>External Serial Clock Mode</i> .....	10
2.2. <i>Internal Serial Clock Mode</i> .....	11
3. <i>De-Emphasis</i> .....	11
4. <i>Initialization and Power-down</i> .....	11
5. <i>Output Pop Noise Control</i> .....	11
5.1. <i>Powerup</i> .....	11
5.2. <i>Power-down</i> .....	12
6. <i>Grounding and Power Supply Decoupling</i> .....	13
7. <i>Analog Output and Filtering</i> .....	13
8. <i>Typical Application</i> .....	13
■ PACKAGE OUTLINE .....	14

## ■ TERMINAL CONFIGURATION



TSSOP10L Top View

## ■ TERMINAL FUNCTION

Terminal No.	NAME	I/O <sup>1</sup>	Description
1	SDIN	I	Serial audio data input.
2	DEM/SCLK	I	De-emphasis / external serial clock input
3	LRCK	I	Left right clock
4	MCLK	I	Master clock
5	VQ	O	Filter connection for internal quiescent voltage
6	FILT+	O	Positive reference voltage for the internal sampling
7	AOATL	O	Left channel analog output
8	GND	G	Ground
9	VA	P	Analog power supply
10	AOATR	O	Right channel analog output

## ■ ORDERING INFORMATION

Part Number	Package Type	Marking	Operating Temperature Range	Container
HT5010	MSOP-10	HT5010 UVWXYZ <sup>2</sup>	-40°C~85°C	Tape and Reel
HT5011	MSOP-10	HT5011 UVWXYZ	-40°C~85°C	Tape and Reel
HT5012	MSOP-10	HT5012 UVWXYZ	-40°C~85°C	Tape and Reel

<sup>1</sup> I: input O: output G: GNDP: Power

<sup>2</sup> UVWXYZ is production track code.

**ELECTRICAL CHARACTERISTICS<sup>3</sup>**
**Absolute Maximum Ratings<sup>4</sup>**

PARAMETER	SYMBOL	MIN	MAX	UNIT
Supply voltage range	VA	-0.3	4.2	V
Digital input voltage range	V <sub>IN</sub>	-0.3	VA+0.3	V
Input current, any pin except supplies	I <sub>IN</sub>	-	±10	mA
Operating temperature range	T <sub>A</sub>	-40	85	°C
Operating junction temperature range	T <sub>J</sub>	-40	150	°C
Storage temperature range	T <sub>STG</sub>	-50	150	°C

**Recommended Operating Conditions**

PARAMETER	SYMBOL	CONDITION	MIN	TYP	MAX	UNIT
Supply voltage range	VA		3.0	3.3	3.6	V
Operating temperature	T <sub>a</sub>		-40	25	85	°C

**Dynamic Performance**

 Condition: F<sub>s</sub> = 48/96/192kHz, input 0dB 1kHz, Load R<sub>L</sub> = 3kohm, C<sub>L</sub> = 10pF, unless otherwise specified.

PARAMETER	SYMBOL	CONDITION	MIN	TYP	MAX	UNIT
Dynamic Range	DR	18 to 24-bit, A weighted		105		dB
		16-Bit, A-weighted		96		
Total Harmonic Distortion + Noise	THD+N	18 to 24-bit	0dB input		-90	dB
			-20 dB input		-82	dB
			-60 dB input		-42	dB
		16-bit	0dB input		-90	dB
			-20 dB input		-73	dB
			-60 dB input		-33	dB

**Analog Performance**

PARAMETER	SYMBOL	CONDITION	MIN	TYP	MAX	UNIT
Cross Talk	CT	1kHz		100		dB
Inter-channel Gain Mismatch	/			0.1		dB
Gain Drift	/			100		ppm/°C
Full Scale Output Voltage	/		0.6×VA	0.65×VA	0.7×VA	V <sub>pp</sub>
Quiescent Voltage	V <sub>Q</sub>			0.5×VA		VDC
Max DC Current draw from an AOUT pin	I <sub>OUTmax</sub>			10		uA
Max Current draw from VQ	I <sub>Qmax</sub>			100		uA
Max AC-Load Resistance	R <sub>L</sub>			3		KΩ
Max Load Capacitance	C <sub>L</sub>			100		pF
Output Impedance	Z <sub>OUT</sub>			100		Ω

<sup>3</sup> Depending on parts and PCB layout, characteristics may be changed.

<sup>4</sup> Stresses beyond those listed under absolute maximum ratings may cause permanent damage to the device. These are stress ratings only, and functional operation of the device at these or any other conditions beyond those indicated under recommended operating conditions is not implied. Exposure to absolute-maximum-rated conditions for extended periods may affect device reliability

**● Combined Interpolation & on-chip analog filter response**

PARAMETER	SYMBOL	CONDITION	MIN	TYP	MAX	UNIT
<b>Single-speed mode</b>						
Passband	/	to -0.1dB corner	0		0.35	Fs
		to -3dB corner	0		0.4992	Fs
Frequency response	/	10Hz to 20kHz	-0.175		+0.01	dB
Stop band	/		0.5465			Fs
Stop band attenuation	/	Measurement Bandwidth is 0.5465 Fs to 3 Fs	50			dB
Group Delay	tgd			10/Fs		s
De-emphasis Error (De-emphasis is only available in Single-speed mode)	/	Fs = 32kHz			+1.5/+0	dB
		Fs = 44.1kHz			+0.05/-0.25	
		Fs = 48kHz			-0.2/-0.4	
<b>Double-speed mode</b>						
Passband	/	to -0.1dB corner	0		0.22	Fs
		to -3dB corner	0		0.501	Fs
Frequency response	/	10Hz to 20kHz	-0.15		+0.15	dB
Stop band	/		0.5770			Fs
Stop band attenuation	/	Measurement Bandwidth is 0.5465 Fs to 3 Fs	55			dB
Group Delay	tgd			5/Fs		s
<b>Quad-speed mode</b>						
Passband	/	to -0.1dB corner	0		0.11	Fs
		to -3dB corner	0		0.469	Fs
Frequency response	/	10Hz to 20kHz	-0.12		+0	dB
Stop band	/		0.4			Fs
Stop band attenuation	/	Measurement Bandwidth is 0.5465 Fs to 3 Fs	51			dB
Group Delay	tgd			2.5/Fs		s

**● Digital Input Characteristics**

PARAMETER	SYMBOL	CONDITION	MIN	TYP	MAX	UNIT
High-level Input Voltage	V <sub>IH</sub>		60%			VA
Low-level Input Voltage	V <sub>IL</sub>				30%	VA
Input Leakage Current	I <sub>in</sub>	except LRCK			±10	uA
		LRCK			±20	uA
Input Capacitance	/			8		pF

**● Power and Thermal Characteristics**

Condition: VA = 3.3V

PARAMETER	SYMBOL	CONDITION	MIN	TYP	MAX	UNIT
Power supply current <sup>5</sup>	I <sub>A</sub>	Normal operation		16		mA
		Power-down state <sup>6</sup>		100		uA
Power dissipation	P <sub>D</sub>	Normal operation		53		mW
		Power-down state <sup>6</sup>		0.33		mW
Package Thermal Resistance	θ <sub>JA</sub>			95		°C/W
Power supply rejection ratio	PSRR	1kHz		50		dB
		60Hz		40		dB

<sup>5</sup> Current consumption will increase with increasing FS and MCLK.

<sup>6</sup> Power-down state is defined when all clock and data lines are held static.

**Serial Audio Interface Switching Characteristics**

PARAMETER	SYMBOL	CONDITION	MIN	TYP	MAX	UNIT
MCLK Frequency	$f_{MCLK}$		0.512		50	MHz
MCLK Duty Cycle	$D_{MCLK}$		45		55	%
Input Sample Rate <sup>7</sup>	$F_s$	All MCLK/LRCK ratios combined	2		200	kHz
		256x, 384x, 1024x	2		50	kHz
		256x, 384x	84		134	kHz
		512x, 768x	42		67	kHz
		1152x	30		34	kHz
		128x, 192x	50		100	kHz
		64x, 96x	100		200	kHz
128x, 192x	168		200	kHz		
<b>External SCLK Mode</b>						
LRCK Duty Cycle	$D_{LRCK}$		45	50	55	%
SCLK Pulse Width Low	$T_{sckl}$		20			ns
SCLK Pulse Width High	$T_{scklh}$		20			ns
SCLK Duty Cycle	$D_{SCLK}$		45	50	55	%
SCLK rising to LRCK edge delay	$t_{sird}$		20			ns
SCLK rising to LRCK edge setup time	$t_{slrs}$		20			ns
SDIN valid to SCLK rising setup time	$t_{sdirs}$		20			ns
SCLK rising to SDIN hold time	$t_{sdh}$		20			ns
<b>Internal SCLK Mode</b>						
LRCK Duty Cycle <sup>8</sup>	$D_{LRCK}$			50		%
SCLK Period	$t_{sckw}$		$\frac{10^9}{SCLK}$			ns
SCLK rising to LRCK edge	$t_{scklr}$			$t_{sckw}/2$		ns
SDIN valid to SCLK rising setup time	$t_{sdirs}$		$\frac{10^9}{512F_s} + 10$			ns
SCLK rising to SDIN hold time	$t_{sdh}$	MCLK / LRCK = 1152, 1024, 512, 256, 128, or 64	$\frac{10^9}{512F_s} + 15$			ns
SCLK rising to SDIN hold time	$t_{sdh}$	MCLK / LRCK = 768, 384, 192, or 96	$\frac{10^9}{384F_s} + 15$			ns

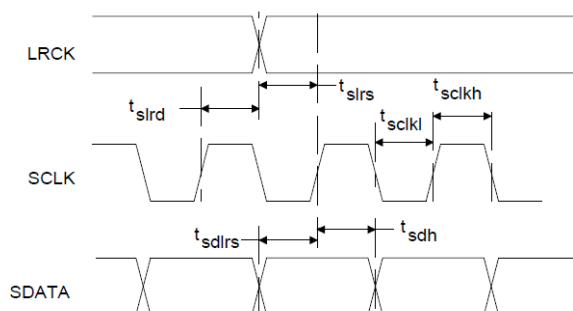


Figure 1 External Serial Mode Input Timing

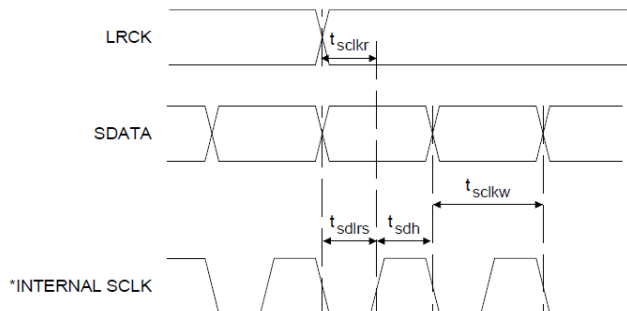


Figure 2 External Serial Mode Input Timing

<sup>7</sup> Not all sample rates are supported for all clock ratios. See Table 2 for detail.

<sup>8</sup> In internal SCLK mode, the duty cycle must be 50% ± 1/2 MCLK period.

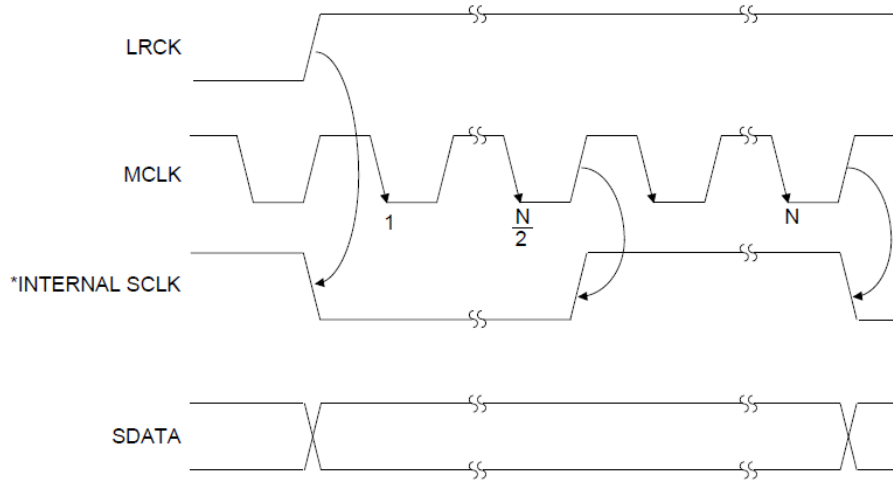


Figure 3 Internal Serial Clock Generation (N equals MCLK divided by SCLK)



**APPLICATION INFORMATION**

The HT5010/1/2 family accepts data at standard audio sample rates including 48, 44.1 and 32 kHz in Single-Speed Mode (SSM), 96, 88.2 and 64 kHz in Double-Speed Mode (DSM), and 192, 176.4 and 128 kHz in Quad-Speed Mode (QSM). Audio data is input via the serial data input pin (SDIN). The Left/Right Clock (LRCK) determines which channel is currently being input on SDIN, and the optional Serial Clock (SCLK) clocks audio data into the input data buffer. The HT5010/1/2 differ in serial data formats as shown in the following Table 1.

Table 1 the Differences between HT5010, HT5011 and HT5012

HT5010	Accept 16 to 24-bit I <sup>2</sup> S serial audio data
HT5011	Accept 16 to 24-bit Left Justified serial audio data
HT5012	Accept 16-bit Right Justified serial audio data

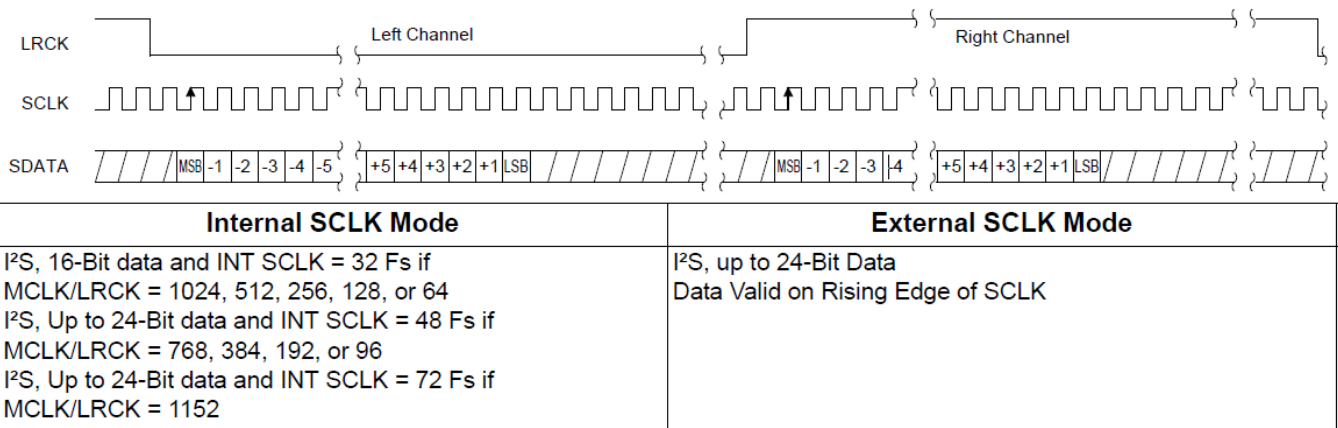


Figure 4 HT5010 Data Format (I<sup>2</sup>S)

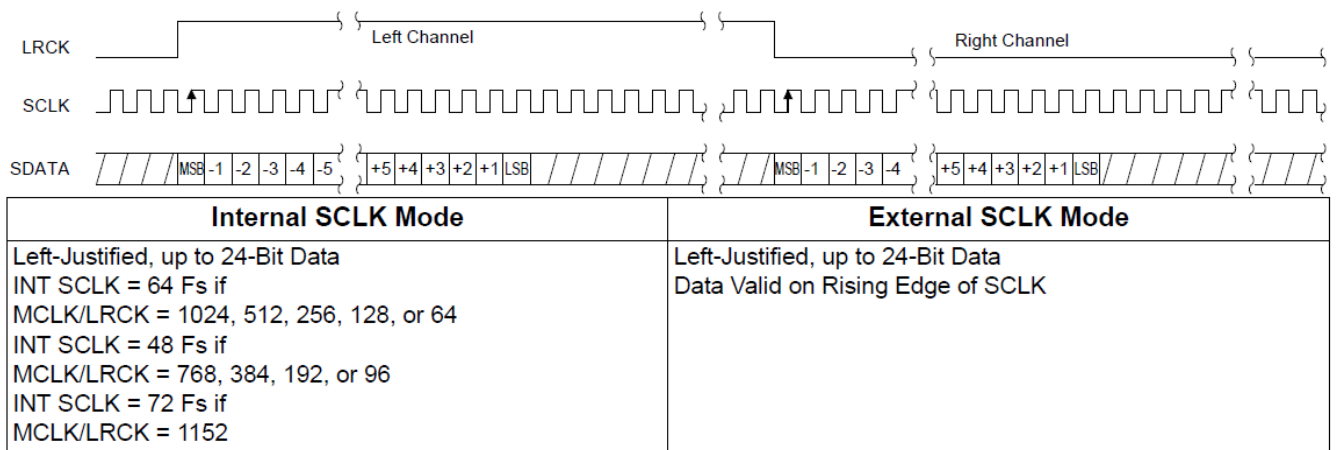
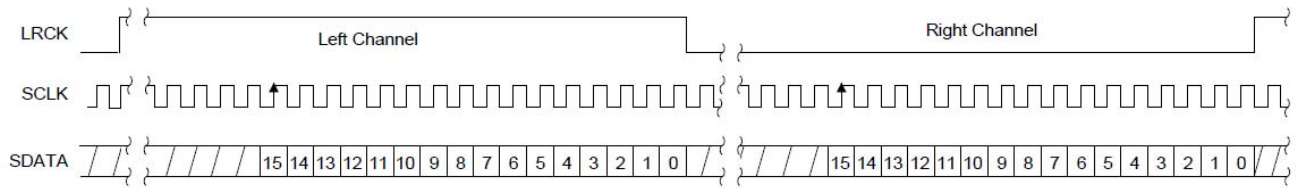


Figure 5 HT5011 Data Format (Left Justified)



Internal SCLK Mode	External SCLK Mode
Right Justified, 16-Bit Data INT SCLK = 32 Fs if MCLK/LRCK = 1024, 512, 256, 128, or 64 INT SCLK = 48 Fs if MCLK/LRCK = 768, 384, 192, or 96 INT SCLK = 72 Fs if MCLK/LRCK = 1152	Right Justified, 16-Bit Data Data Valid on Rising Edge of SCLK SCLK Must Have at Least 32 Cycles per LRCK Period

Figure 6 HT5012 Data Format (Right Justified 16)

### 1. Master Clock

MCLK/LRCK must be an integer ratio, as shown in Table 2. The LRCK frequency is equal to  $F_s$ , the frequency at which words for each channel are input to the device. The MCLK-to-LRCK frequency ratio and speed mode is detected automatically during the initialization sequence by counting the number of MCLK transitions during a single LRCK period and by detecting the absolute speed of MCLK. Internal dividers are set to generate the proper clocks. Table 2 illustrates several standard audio sample rates and the required MCLK and LRCK frequencies. Please note there is no required phase relationship, but MCLK, LRCK and SCLK must be synchronous.

Table 2 Common Clock Frequencies

LRCK (kHz)	MCLK(MHz)									
	64x	96x	128x	192x	256x	384x	512x	768x	1027x	1152x
32	-	-	-	-	8.1920	12.2880	-	-	32.7680	36.8640
44.1	-	-	-	-	11.2896	16.9344	22.5792	33.8680	45.1580	-
48	-	-	-	-	12.2880	18.4320	24.5760	36.8640	49.1520	-
64	-	-	8.1920	12.2880	-	-	32.7680	49.1520	-	-
88.2	-	-	11.2896	16.9344	22.5792	33.8680	-	-	-	-
96	-	-	12.2880	18.4320	24.5760	36.8640	-	-	-	-
128	8.1920	12.2880	-	-	32.7680	49.1520	-	-	-	-
176.4	11.2896	16.9344	22.5792	33.8680	-	-	-	-	-	-
192	12.2880	18.4320	24.5760	36.8640	-	-	-	-	-	-
Mode	QSM				DSM		SSM			

### 2. Serial Clock

The serial clock controls the shifting of data into the input data buffers. The HT5010/1/2 family supports both external and internal serial clock generation modes. Refer to Figure 4 - Figure 6 for data formats.

#### 2.1. External Serial Clock Mode

The HT5010/1/2 family will enter the External Serial Clock Mode when 16 low to high transitions are detected on the DEM/SCLK pin during any phase of the LRCK period. When this mode is enabled, the Internal Serial Clock Mode and de-emphasis filter cannot be accessed. The HT5010/1/2 family will switch to Internal Serial Clock Mode if no low to high transitions are detected on the DEM/SCLK pin for 2 consecutive frames of LRCK.

## 2.2. Internal Serial Clock Mode

In the Internal Serial Clock Mode, the serial clock is internally derived and synchronous with MCLK and LRCK. The SCLK/LRCK frequency ratio is either 32, 48, 64, or 72 depending upon data format. Operation in this mode is identical to operation with an external serial clock synchronized with LRCK. This mode allows access to the digital deemphasis function. Refer to Figure 4 - Figure 6 for details.

## 3. De-Emphasis

The HT5010/1/2 family includes on-chip digital de-emphasis. Figure 7 shows the de-emphasis curve for  $F_s$  equal to 44.1 kHz. The frequency response of the de-emphasis curve will scale proportionally with changes in sample rate,  $F_s$ .

The de-emphasis filter is active (inactive) if the DEM/SCLK pin is low (high) for 5 consecutive falling edges of LRCK. This function is available only in the internal serial clock mode

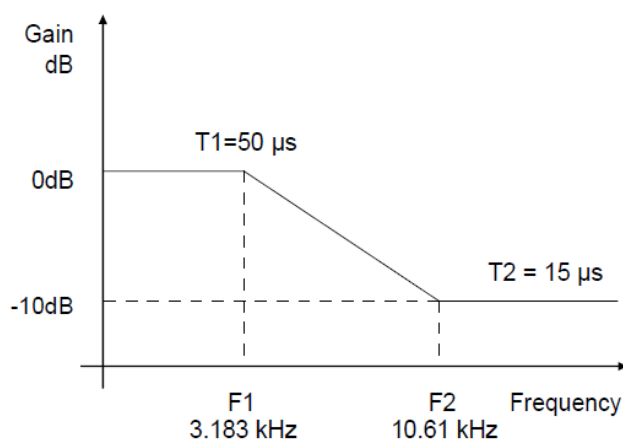


Figure 7 De-emphasis Curve ( $F_s = 44.1\text{kHz}$ )

## 4. Initialization and Power-down

The Initialization and Power-down sequence flow chart is shown in Figure 8. The HT5010/1/2 family enters the Power-Down State upon initial power-up. The interpolation filters and delta-sigma modulators are reset, and the internal voltage reference, multi-bit digital-to-analog converters and switched-capacitor low-pass filters are powered down. The device will remain in the Power-down mode until MCLK and LRCK are present. Once MCLK and LRCK are detected, MCLK occurrences are counted over one LRCK period to determine the MCLK/LRCK frequency ratio. Power is then applied to the internal voltage reference. Finally, power is applied to the D/A converters and switched-capacitor filters, and the analog outputs will ramp to the quiescent voltage, VQ.

## 5. Output Pop Noise Control

The HT5010/1/2 family can minimize the output pop noise during powerup and power-down, that is commonly produced by single-ended single-supply converters when it is implemented with external DC-blocking capacitors connected in series with the audio outputs. To make best use of this feature, it is necessary to understand its operation.

### 5.1. Powerup

When the device is initially powered-up, the audio outputs, AOUTL and AOUTR, are clamped to VQ which is initially low. After MCLK is applied, the outputs begin to ramp with VQ towards the nominal quiescent voltage. This ramp takes approximately 250 ms with a 3.3  $\mu\text{F}$  cap connected to VQ (420 ms with a 10  $\mu\text{F}$  connected to VQ) to complete. The gradual voltage ramping allows time for the external DC-blocking capacitors to

charge to VQ, effectively blocking the quiescent DC voltage. Once valid LRCK and SDIN are supplied (and SCLK if used) approximately 2000 sample periods later audio output begins.

**5.2. Power-down**

To prevent pop noise at power-down, the DC-blocking capacitors must fully discharge before turning off the power. To accomplish this, MCLK should be stopped for a period of about 250 ms for a 3.3  $\mu$ F capacitor connected to VQ (420 ms for a 10  $\mu$ F cap connected to VQ) before removing power. During this time voltage on VQ and the audio outputs discharge gradually to GND. If power is removed before this time period has passed, pop noise will occur when the VA supply drops below that of VQ. There is no minimum time for a power cycle; power may be re-applied at any time.

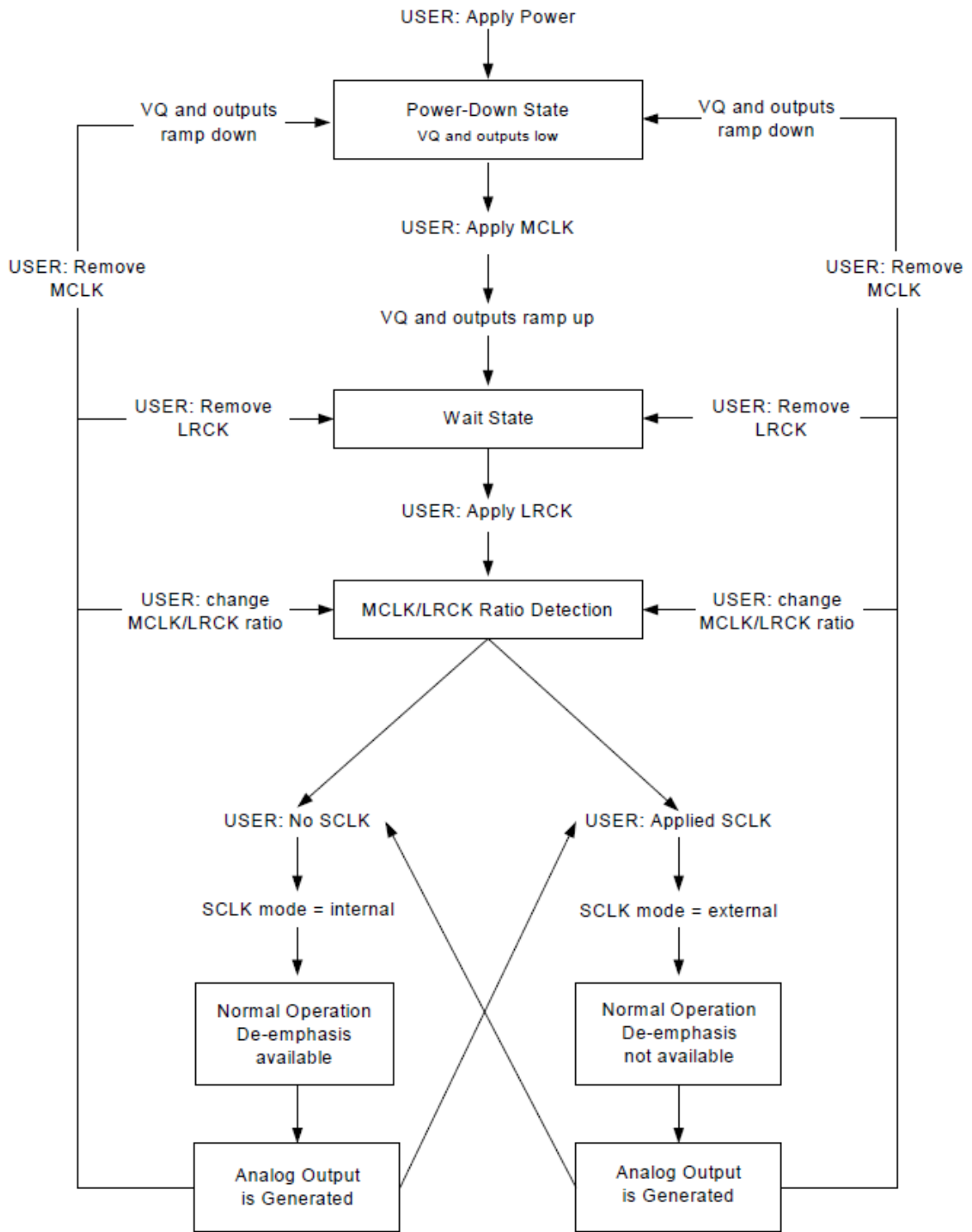


Figure 8 Initialization and Power-down Sequence

When changing clock ratio or sample rate, it is recommended that zero data (or near zero data) be present on SDIN for at least 10 LRCK samples before the change is made. During the clocking change, the DAC outputs will always be in a zero data state. If no zero audio is present at the time of switching, a slight click or pop may be heard as the DAC output automatically goes to its zero data state.

### 6. Grounding and Power Supply Decoupling

As with any high-resolution converter, the HT5010/1/2 family requires careful attention to power supply and grounding arrangements to optimize performance. Figure 9 shows the recommended power arrangement with VA connected to a clean +3.3 V supply. For best performance, decoupling and filter capacitors should be located as close to the device package as possible with the smallest capacitors closest.

### 7. Analog Output and Filtering

The analog filter present in the HT5010/1/2 family is a switched-capacitor filter followed by a continuous time low pass filter. The recommended external analog circuitry is shown in the Figure 9.

### 8. Typical Application

Note\* = This circuitry is intended for applications where the CS4344/5/8 connects directly to an unbalanced output of the design. For internal routing applications please see the DAC analog output characteristics for loading limitations.

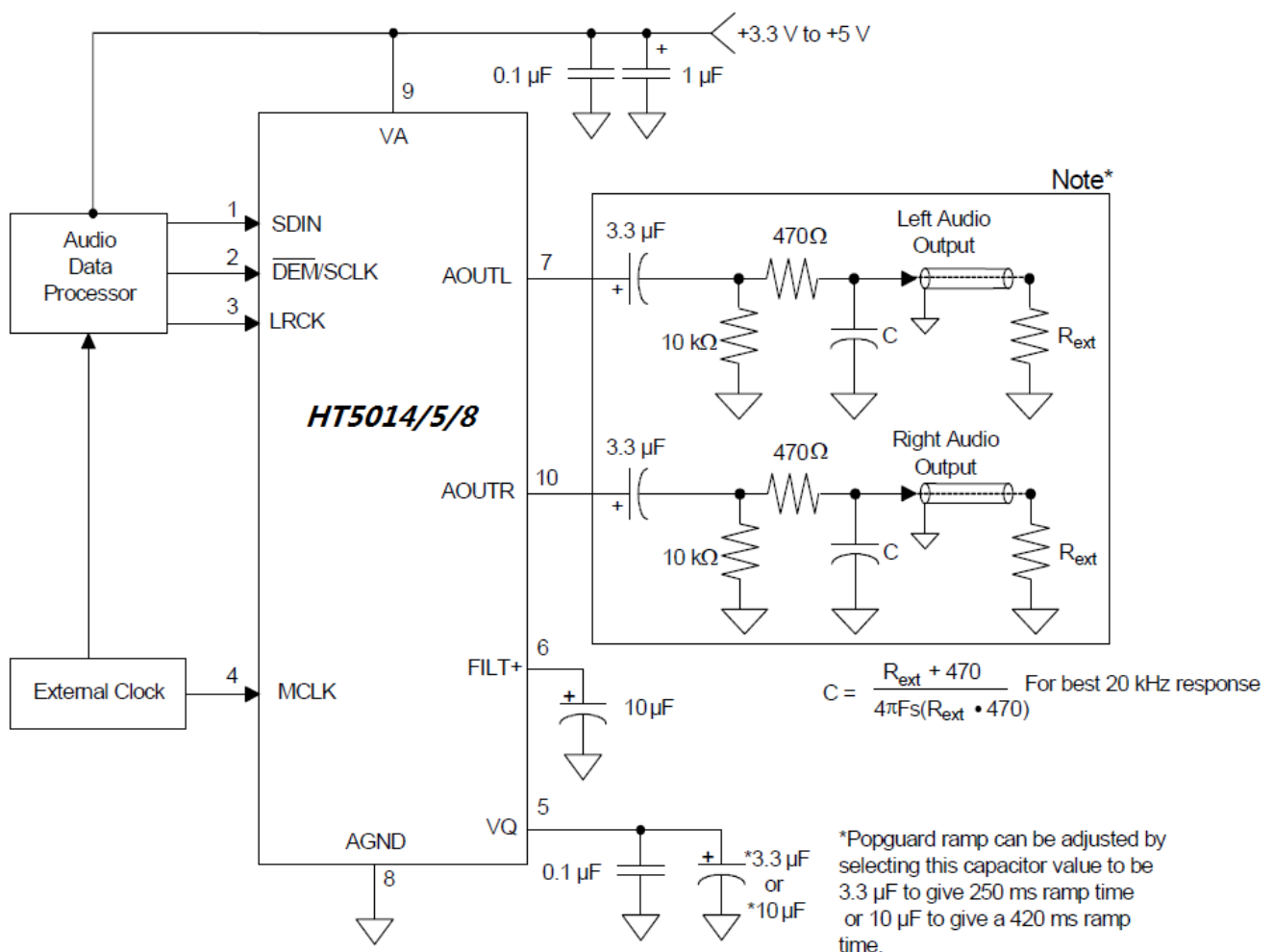
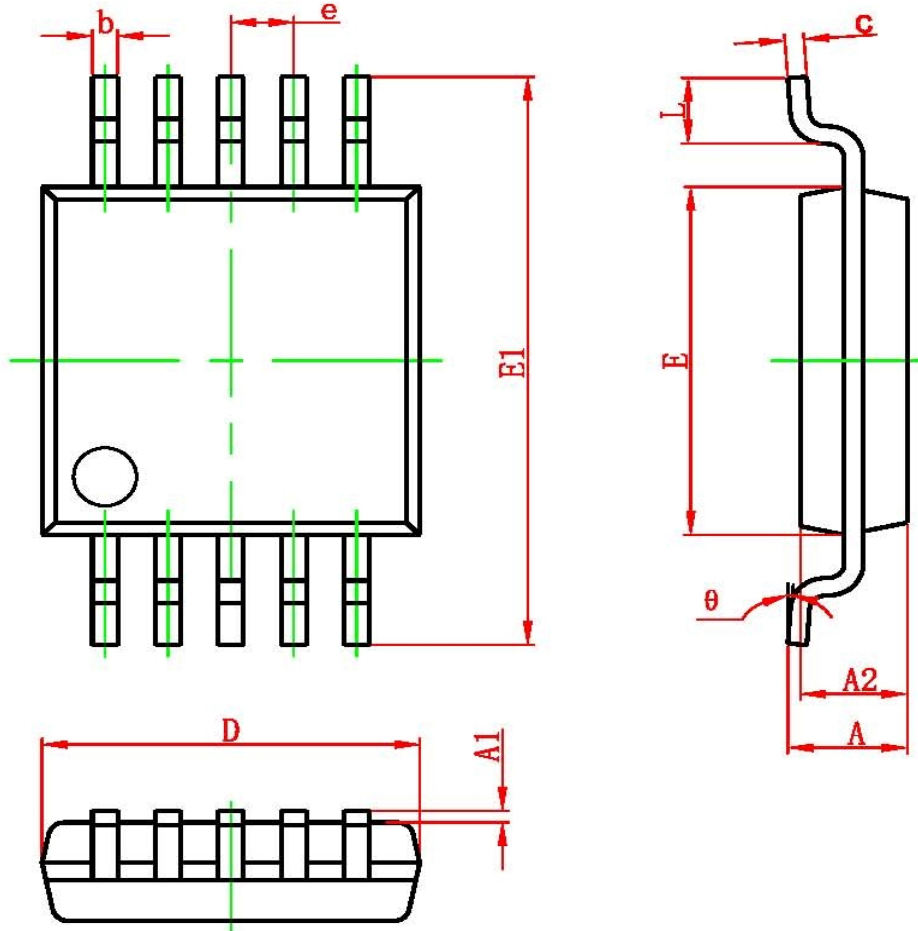


Figure 9 Typical Application

**PACKAGE OUTLINE**
**MSOP10 PACKAGE OUTLINE DIMENSIONS**


Symbol	Dimensions In Millimeters		Dimensions In Inches	
	Min	Max	Min	Max
A	0.820	1.100	0.032	0.043
A1	0.020	0.150	0.001	0.006
A2	0.750	0.950	0.030	0.037
b	0.180	0.280	0.007	0.011
c	0.090	0.230	0.004	0.009
D	2.900	3.100	0.114	0.122
e	0.50(BSC)		0.020(BSC)	
E	2.900	3.100	0.114	0.122
E1	4.750	5.050	0.187	0.199
L	0.400	0.800	0.016	0.031
$\theta$	0°	6°	0°	6°

**IMPORTANT NOTICE****注意**

Jiaxing Heroic Electronic Technology Co., Ltd (HT) reserves the right to make corrections, modifications, enhancements, improvements, and other changes to its products and services at any time and to discontinue any products or services. Customers should obtain the latest relevant information before placing orders and should verify that such information is current and complete.

嘉兴禾润电子科技有限公司（以下简称HT）保留对产品、服务、文档的任何修改、更正、提高、改善和其他改变，或停止提供任何产品和服务的权利。客户在下单和生产前应确保所得到的信息是最新、最完整的。

HT assumes no liability for applications assistance or customer product design. Customers are responsible for their products and applications using HT components.

HT对相关应用的说明和协助以及客户产品的板级设计不承担任何责任。

HT products are not authorized for use in safety-critical applications (such as life support devices or systems) where a failure of the HT product would reasonably be expected to affect the safety or effectiveness of that devices or systems.

HT的产品并未授权用于诸如生命维持设备等安全性极高的应用中。

The information included herein is believed to be accurate and reliable. However, HT assumes no responsibility for its use; nor for any infringement of patents or other rights of third parties which may result from its use.

本文中的相关信息是精确和可靠的，但HT并不对其负责，也不对任何可能的专利和第三方权利的侵害负责。

Following are URLs and contacts where you can obtain information or supports on any HT products and application solutions:

下面是可以联系到我公司的相关链接和联系方式：

**嘉兴禾润电子科技有限公司****Jiaxing Heroic Electronic Technology Co., Ltd.**

地址: 浙江省嘉兴市凌公塘路3339号JRC大厦A座三层

Add: A 3rd floor, JRC Building, No. 3339, LingGongTang Road, Jiaxing, Zhejiang Province

Sales: 0573-82585539, sales@heroic.com.cn

Support: 0573-82586151, support@heroic.com.cn

Fax: 0573-82585078

Website: www.heroic.com.cn; wap.heroic.com.cn

Wechat MP: HEROIC\_JX

请及时关注禾润官方微信公众号，随时获取最新产品信息和技术资料！

